



# DX380LC | Crawler Excavator



## Weights

Operating weight - arm 3.2 m	37900 kg
Operating weight - arm 2.6 m	37800 kg
Ground pressure (shoe width - 600 mm)	0.69 kgf/cm <sup>2</sup>

## Engine

Make / model	Doosan / DL08
Bore / Stroke	108 mm x 139 mm
Rated power	202 (275 PS) kW at 1900 rpm (DIN 6271) 202 (271 HP) kW at 1900 rpm (SAE J1349)
Maximum torque	115 kgf.m at 1300 rpm
Number of cylinders	6
Displacement	7640 cc
Fuel consumption (Power / Standard / Eco mode)	38.7 / 35.5 / 31.3 l/h

## Performance

Bucket digging force (ISO)	20.5 / 21.57 t
Arm digging force (ISO) - arm 3.2 m	16.4 / 17.3 t
Arm digging force (ISO) - arm 2.6 m	20.0 / 21.2 t
Travel speed (fast/slow)	4.8 / 2.9 km/h
Swing speed	9.3 rpm

## Hydraulic system

Pump type	Bent axis
Max flow	2 x 278 l/min
Gear pump (max flow)	21.4 l/min
Main relief valves:	
- Boom/arm/bucket	Normal mode : 330 kg/cm <sup>2</sup> Power mode : 350 kg/cm <sup>2</sup>
- Travel	350 kgf/cm <sup>2</sup> @ 25 l/min
- Rotation	280 kgf/cm <sup>2</sup>

## Capacities

Fuel tank	550 l
Cooling system	34 l
Engine oil	39 l
Swing device	6 l
Travel device	2 x 5.5 l
Hydraulic tank	324 l

## Drive

Maximum traction force	31.5 / 18.0 t
Maximum grade	35°

## Undercarriage

Shoe width	600 mm (std), 600 (DG), 750 - 800 - 900 (opt)
Track width	3350 mm (std)
Track length	5200 mm
Rollers and track shoes each side	
- Upper rollers	2
- Lower rollers	9
- Shoes	50

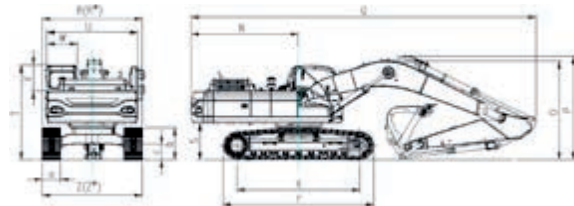
## Other

Sound level	106 dB(A) (2000/14/EC)
Cab sound level	73 dB(A) (ISO 6396)
Hydraulic cylinders	Bore x rod diameter x stroke
- Boom (2)	160 x 105 x 1430 mm
- Arm (1, std)	170 x 115 x 1810 mm
- Bucket (1, std)	150 x 100 x 1300 mm
Counterweight	7100 kg

## Standard features

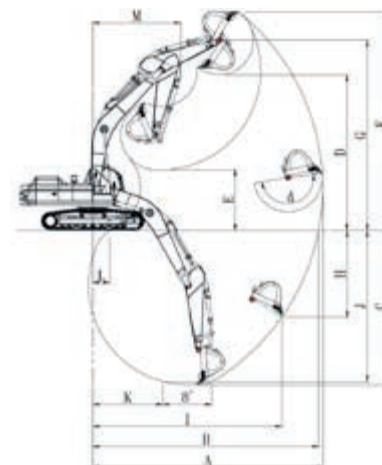
High productivity with excellent power and swing speed  
Lower fuel consumption with newly added economy mode  
Comfortable operator environment with spacious cab

## Dimensions



Boom	mm	6500	6500	6500	6500
Arm	mm	3200 (std)	2600	3950	2900
Bucket	m <sup>3</sup>	1,61	1,83	1,25	1,61
	mm N	3500	3500	3500	3500
	mm O	3230	3486	3317	3386
	mm P	3360	3670	3520	3560
	mm Q	11280	11300	11300	11380
	mm R	3350	3350	3350	3350
	mm S	1265	1265	1265	1265
	mm T	3155	3155	3155	3155
	mm U	2990	2990	2990	2990
	mm V	845	845	845	845
	mm W	1010	1010	1010	1010
	mm X	4250	4250	4250	4250
	mm Y	5200	5200	5200	5200
	mm Z	3350	3350	3350	3350
	mm a	600	600	600	600
	mm b	1140	1140	1140	1140
	mm c	540	540	540	540

## Working ranges



Boom	mm	6500	6500	6500	6500
Arm	mm	3200 (std)	2600	3950	2900
Bucket	m <sup>3</sup>	1,61	1,83	1,25	1,61
	mm A	11166	10584	11926	10858
	mm B	10959	10363	11731	10645
	mm C	7458	6844	8200	6963
	mm D	7270	6969	7747	7072
	mm E	2778	3397	2039	3082
	mm F	10416	10077	10928	10196
	mm G	8971	8670	9449	8775
	mm H	5845	5035	6743	5409
	mm I	7714	7708	7815	7732
	mm J	7286	6631	8066	6963
	mm K	3393	3345	3458	3350
	mm L	631	2091	-379	1435
	mm M	4412	4438	4477	4422
	° d	178	178	178	178

Specifications and design are subject to change without notice. Pictures of Doosan products may show other than standard equipment.

