

BTI 220/225 BT 420/425

- Lift height : 4.00 m
- Lift capacity : 2000/2500 kg
- Forward reach : 2.70 m/2.83 m
- Hydrostatic transmission



BUGGISCOPIC



MANITOU

BTI 220 - BTI 225 : 2 wheel drive
BT 420 - BT 425 : 4 wheel drive

BTI 225 - BT 425 : 2500 kg
With integral industrial carriage

BTI 220 - BT 420 : 2000 kg
With quick fitting carriage



Lifting capacity
 at 500 mm from forks heels :
 BTI 220 - BT 420 :2000 kg
 BTI 225 - BT 425 :2500 kg
 Tipping load at maximum reach :
 BTI 220 - BT 4201030 kg
 BTI 225 - BT 4251200 kg
 Tear out force with toothed digging bucket to
 ISO 8313-1986 with tilting ram.....3430 kg



Lifting height :4.00 m
Times : unladen/loaded (in s) :
 Lifting :42/40
 Lowering :51/52
 Boom extension :15.6/14.9
 Boom retraction :25.7/26.3
 Time unladen (in s)
 Crowd3,5
 Dump3



Tyres :
 Front: BTI 220/225265/70 R 19 - 5 XTA
 BT 420/42511.5/80 15.3
 Rear : BTI 220/225700 x 12 IC 40
 BT 420/42528 x 9 - 15 IC 40



Forks (mm)
 Length :1100
 Width x thickness :100 X 40



Brakes
 Handbrake
 Mechanical on front axle



Perkins engine
 Type :104-19
 Capacity :4 cyl. - 1995 cm³
 Power (DIN 6270 B) :39 HP (28.7 kw)
 Maximum torque :119 Nm at 2200 r.p.m.
 Rated speed.....2800 r.p.m.
 Warer cooling



Transmissionhydrostatic
 Electromagnetic reversing shift
 Maximum travel speed :20.5 km/h



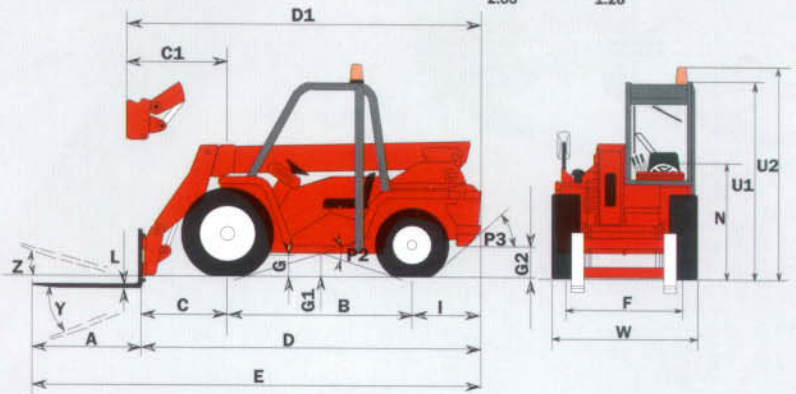
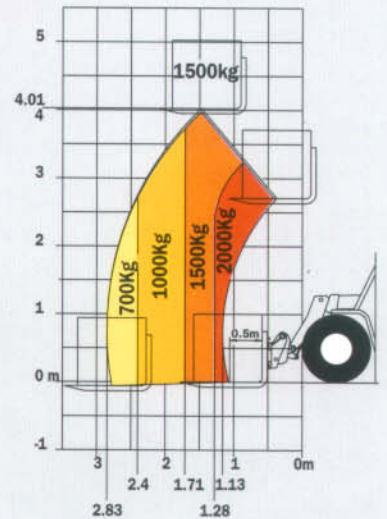
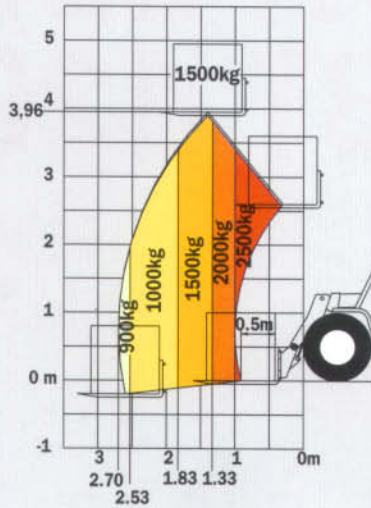
Hydraulics
 Lifting/tilting pump
 gear type :230 bars /56.7 l/mn
 Steering pump
 gear type :140 bars /23.1 l/mn



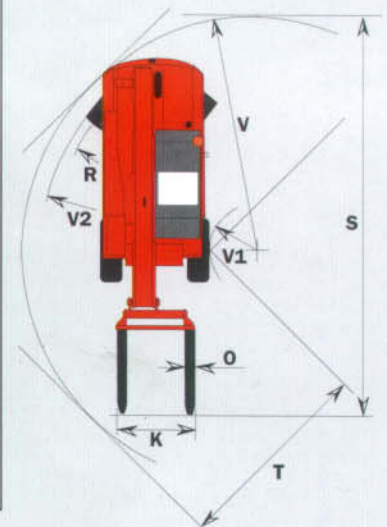
Capacities
 Cooling system.....8 l.
 Engine oil.....4.5 l.
 Hydraulic oil55 l.
 Fuel tank54 l.



	BT 420	BTI 220
	BT 425	BTI 225
Weight unladen (with forks)	4610 kg	4630 kg
	4530 kg	4550 kg
Overall width	1.44 m	1.46 m
Overall height	1.94 m	1.96 m
Turning radius (outside wheels)	3.57 m	2.92 m
Groun clearance	0.24 m	0.23 m
Drawbar pull	2900 kg	2900 kg



	BTI 220	BTI 225	BT 420	BT 425
A	1100	1100	1100	1100
B	1800	1800	1800	1800
C	1070	896	1065	896
C1	930	-	925	-
D	3540	3381	3550	3381
D1	3400	-	3410	-
E	4640	4480	4650	4480
F	1190	1190	1146	1146
F1	1112	1112	1112	1112
G	225	225	235	235
G1	225	225	235	235
G2	165	165	190	190
I	670	670	685	685
J	640	640	640	640
K	1020	1020	1020	1020
L	40	40	40	40
N	1200	1200	1180	1180
O	100	100	100	100
P2	34°	34°	34°	34°
P3	40°	40°	40°	40°
R	2735	2735	3435	3435
S	5145	4970	5830	5670
T	2540	2540	2565	2565
U1	1955	1955	1980	1980
U2	2115	2115	2140	2140
V	2975	2975	3675	3675
V1	615	615	1570	1570
V2	2915	2915	3565	3565
W	1460	1460	1436	1436
Y	107°	107°	107°	107°
Z	16°	16°	16°	16°



202/08/99 BI 038 Ind. B/BI 039 Ind. B

This publication in no way constitutes an offer and the company reserves the right to alter specification without prior notice. The MANITOU models presented in this brochure can be supplied complete with optional equipment attachments

IN ACCORDANCE WITH



Tel: 01256 377389



THE POWER OF IMAGINATION

MANITOU (SITE LIFT) Limited.

Ebbleke Industrial Estate, VERWOOD Dorset BH31 6BB
 Telephone : (01202) 825331 - Fax : (01202) 813027
 www.manitou.fr