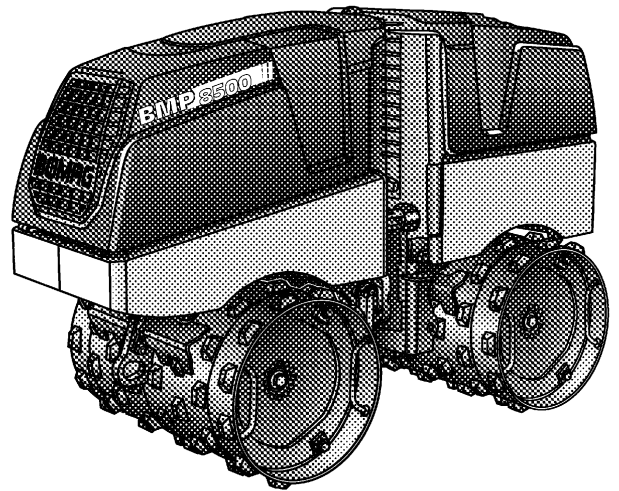


**MULTI PURPOSE COMPACTOR
BMP 8500**

PERFORMANCE DATA



Machine type	Compaction output (m ³ /h) at recommended soil layer thicknesses		
	Gravel, sand	Mixed soil	Silt, clay
BMP 8500	52-82	52-82	30-40

Technical Data

Shipping dimensions in m3

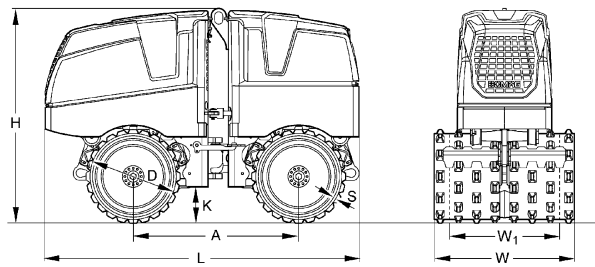
BMP 8500 2,056

Standard Equipment

- ECOMODE
- Drum extensions (610/850mm)
- Hydrostatic articulated steering, maintenance free
- Combination remote control cable/radio
- Dual directed-vibration system
- Two travel speed ranges
- 2 amplitudes
- Intelligent Vibration Control (IVC)
- Electric starter
- Hydrost. service brake
- Hydro-mechanical parking brake
- BOMAG Operator Safety System
- 2 scrapers per drum
- Battery disconnect switch
- Automatic shutdown at low oil level
- Automatic engine shut down at a lateral tipping angle of 45°
- Full prot. hoods made of impact resistant compound material
- Single point lifting device
- Lockable engine cover and dash board
- Easy Service Concept
 - Diagnostic module with fault code display
 - Hour meter
 - foldable full protection hood
- 3-2-1 Warranty

Optional Equipment

- Environmentally compliant hydraulic oil
- Special painting
- Mobile quick charger
- Scrapers 850mm
- Service Kit



Dimensions in mm

	A	D	H	K	L	S	W	W1
BMP 8500	1000	520	1275	222	1897	25	850	610

Technical Data

Weights

Operating weight CECE	kg	1.595
Basic weight	kg	1.585
Average axle load CECE	kg	775

Dimensions

Basic working width	mm	850
---------------------------	----	-----

Driving Characteristics

Speed (1), forward	km/h	1,3
Speed (1), reverse	km/h	1,3
Speed (2), forward	km/h	2,5
Speed (2), reverse	km/h	2,5
Max. gradeability without/with vibr.	%	55/45

Drive

Engine manufacturer	Kubota	
Type	D 1005	
Emission stage	4	
Cooling	water	
Number of cylinders	3	
Performance ISO 9249	kW	14,5
Speed	min-1	2.600
Fuel	diesel	
Drive system	hydrost.	
Driven drum	front + rear	

Brakes

Service brake	hydrost.
Parking brake	hydromec.

Exciter system

Vibrating drum	front + rear	
Drive system	hydraulic	
Frequency	Hz	42
Amplitude	mm	1,12/0,56
Centrifugal force	kN	72/36

Capacities

Fuel	l	24,0
------------	---	------

Technical modifications reserved. Machines may be shown with options.

