

# Alldrive 1 Tonne HI-TIP

## HYDROSTATIC

### Specifications

#### Capacities

Max. safe load	1000 kg
Heaped	500 litres
Struck	400 litres
Water	280 litres

#### Engine

Yanmar 3TNV76, 17.7 kW/23.9 bhp (gross) @ 2800 rpm, 3 cylinder water-cooled diesel. Max torque 66.4 Nm (49 lb f ft).

Electric starting, hour meter, battery isolator switch and heavy-duty cyclonic air cleaner positioned within the lockable engine compartment.

#### Noise Levels

Operator's ear 84 LpA, airborne sound power level 102 LwA (to 2000/14/EEC)

<b>Speeds</b>	Forward/Reverse:	0 - 12 km/h
---------------	------------------	-------------

<b>Tyres</b>	<b>Standard</b>	<b>Optional</b>
	10.0/80 x 15.3	7.00 x12
	8 ply	6 Ply
	Track grip tread	Track grip tread

#### Brakes

Automatic failsafe braking system incorporated into rear drive motors.

#### Chassis

Front and rear chassis constructed from folded steel plate, with centre point articulation and oscillation for optimum stability and traction.

#### Drive System

Hydrostatic with variable displacement pump feeding 4 wheel motors, incorporating "Twin-Lock" system to maximise traction.

#### Skip

Hydraulically operated, 3 mm base, 3 mm sides steel plate. Mouth reinforced with box sections giving greater strength to minimise damage, no material traps. Lift and tip operated by twin control levers.

#### Seating & Controls

Adjustable suspension seat, accessible from both sides. Audible warning device at key start 'on' position. Super bright warning lights for all critical functions. Electric horn. Operator's weatherproof instruction book housed within steering leg guard.

#### Service Access

Lockable 3-sided cover provides easy access from ground level to engine service points.



#### Electrics

Wiring harness contained within conduits and all electrical components water resistant to IP65/67 standards.

#### Steering & Hydraulics

Hydraulic power steering. Return line filtration for all services and large capacity suction strainer in the tank to give full circuit protection. Hydraulic test point fitted as standard.

<b>Tank capacities</b>	Fuel	21 litres
	Hydraulic	20 litres

<b>Shipping Cube</b>	6.25 m <sup>3</sup>
----------------------	---------------------

<b>Unladen Weight</b>	1200 kg
-----------------------	---------

<b>Clearance Diameter</b>	5.45 m
---------------------------	--------

#### ROPS/Beacon

For the UK and other markets, where it is a legal requirement, the folding ROPS bar and beacon are fitted as standard.

#### Optional Extras

Full road lighting equipment. Beacon and reverse alarm. UK road equipment. Towing bracket. Grassland/sand tyres and narrow tyres.

# Thwaites



We reserve the right to change all specifications without prior notice. Printed in England 23 July 2003

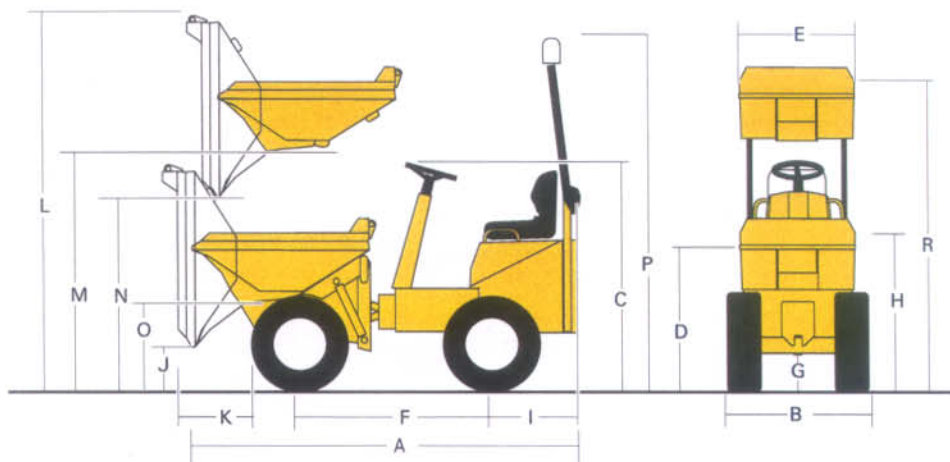
Thwaites Ltd. Leamington Spa, Warwickshire CV32 7NQ, England  
Tel +44 (0)1926 422471 Fax +44 (0)1926 337155  
[www.thwaitesdumpers.co.uk](http://www.thwaitesdumpers.co.uk)

# Alldrive 1 Tonne HI-TIP

## HYDROSTATIC

### Specifications

Dimensions (mm)	
A	3032
B	1115 (982*)
C	1822
D	1155
E	982
F	1500
G	274
H	1262
I	654
J	346
K	505
L	3005
M	1913
N	1573
O	720
P	2860
R	2370



(\*with optional narrow wheels)

Model	Max. Safe Load Tonnes	Skip				Drive	Transmission	
		Front Tip	Power Swivel	Hi Swivel	Hi Tip		Powershuttle	Powershift
<b>Alldrive 9</b>	9	•				4x4	•	•
<b>Alldrive 7</b>	7	•				4x4	•	•
<b>Alldrive 6</b>	6	•	•			4x4	•	•
<b>Alldrive 5</b>	5	•	•			4x4	•	•
<b>Alldrive 4.5</b>	4.5	•	•			4x4	Hydrostatic	
<b>Alldrive 4</b>	4	•	•			4x4	Manual	
<b>Alldrive 3.5</b>	3.5	•	•			4x4	Hydrostatic	
<b>Alldrive 3</b>	3	•	•			4x4	Manual	
<b>Alldrive 2.3</b>	2.3		•	•*		4x4	Hydrostatic	
<b>Alldrive 2</b>	2	•	•	•*		4x4	Manual/Hydrostatic	
<b>Alldrive 1</b>	1				•	4x4	Hydrostatic	
<b>Slimline</b>	1.5 / 1.75	•	•		•	4x2	Manual	
<b>Nimline</b> Manual Start	1 Gravity Tip	•				4x2	Manual	

\* 1.5 Tonne Max Safe Load

Distributor

# Thwaites